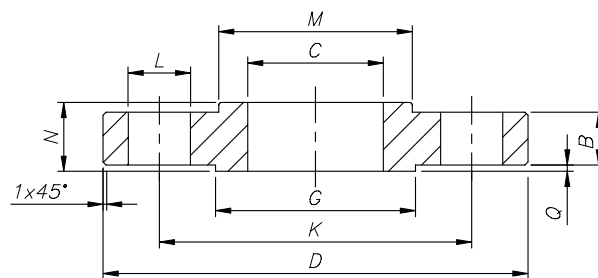
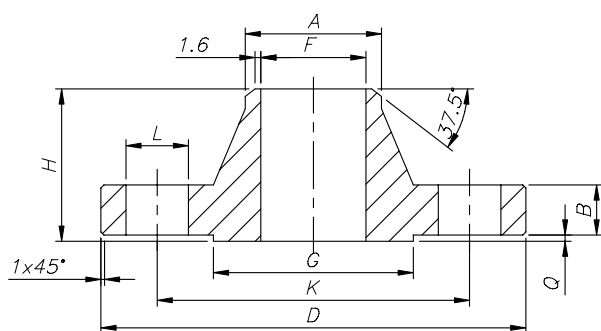


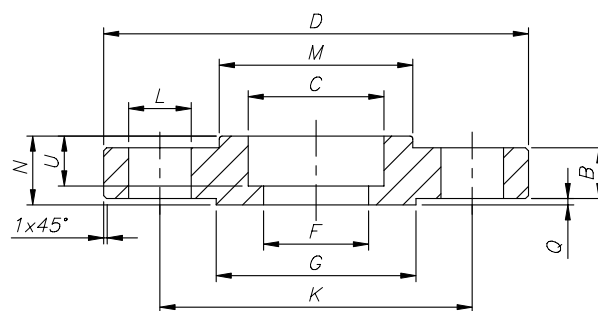
FLANGE CEGO



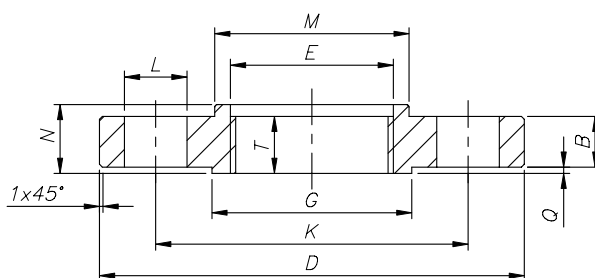
FLANGE SOBREPOSTO



FLANGE COM PESCOÇO



FLANGE DE ENCAIXE



FLANGE ROSCADO



**QG IND. E COM. DE ACESSÓRIOS INDUSTRIAIS LTDA.**

TÍTULO: FLANGES 150# / 300# / 600#		CÓDIGO: IT-009	FOLHA: 05
MATERIAL: AÇO INOX TP 304/L, 316/L		NORMA: A182/08 - ASME B16.5/03	
ESCALA: S/ESCALA	DATA: 27/05/09	DESENHISTA: SILVANA	VERIFICAÇÃO: SIDNEY
		APROVAÇÃO: IVO	

**DIMENSÕES COMUNS**

Ø NOM.	1/2"	3/4"	1"	1.1/4"	1.1/2"	2"	2.1/2"	3"	3.1/2"	4"	5"	6"	8"	10"	12"
A	21.3	26.7	33.4	42.2	48.3	60.3	73.0	88.9	101.6	114.3	141.3	168.3	219.1	273.0	323.8
C	22.2	27.7	34.5	43.2	49.5	61.9	74.6	90.7	103.4	116.1	143.8	170.7	221.5	276.2	327.0
F	DE ACORDO COM O SCHEDULE SOLICITADO PELO CLIENTE														
G	34.9	42.9	50.8	63.5	73.0	92.1	104.8	127.0	139.7	157.2	185.7	215.9	269.9	323.8	381.0
R	3.0	3.0	3.0	5.0	6.0	8.0	8.0	10.0	10.0	11.0	11.0	13.0	13.0	13.0	13.0
U	10.0	11.0	13.0	14.0	16.0	17.0	19.0	21.0	-	-	-	-	-	-	-

**150#**

Ø NOM.	1/2"	3/4"	1"	1.1/4"	1.1/2"	2"	2.1/2"	3"	3.1/2"	4"	5"	6"	8"	10"	12"
B	9.6	11.2	12.7	14.3	15.9	17.5	20.7	22.3	22.3	22.3	22.3	23.9	27.0	28.6	30.2
D	90.0	100.0	110.0	115.0	125.0	150.0	180.0	190.0	215.0	230.0	255.0	280.0	345.0	405.0	485.0
H	48.0	53.0	56.0	58.0	60.0	64.0	70.0	70.0	72.0	77.0	89.0	89.0	102.0	102.0	115.0
K	60.3	69.9	79.4	88.9	98.4	120.7	139.7	152.4	177.8	190.5	215.9	241.3	298.5	362.0	431.8
L	15.9	15.9	15.9	15.9	15.9	19.1	19.1	19.1	19.1	19.1	22.2	22.2	22.2	25.4	25.4
M	30.0	38.0	49.0	59.0	65.0	78.0	90.0	108.0	122.0	135.0	164.0	192.0	246.0	305.0	365.0
N	16.0	16.0	18.0	21.0	23.0	26.0	29.0	31.0	32.0	34.0	37.0	40.0	45.0	50.0	56.0
Q	2.0	2.0	2.0	2.0	2.0	2.0	2.0	2.0	2.0	2.0	2.0	2.0	2.0	2.0	2.0
FUROS	4	4	4	4	4	4	4	4	8	8	8	8	8	12	12

**300#**

Ø NOM.	1/2"	3/4"	1"	1.1/4"	1.1/2"	2"	2.1/2"	3"	3.1/2"	4"	5"	6"	8"	10"	12"
B	12.7	14.3	15.9	17.5	19.1	20.7	23.9	27.0	28.6	30.2	33.4	35.0	39.7	46.1	49.3
D	95.0	115.0	125.0	135.0	155.0	165.0	190.0	210.0	230.0	255.0	280.0	320.0	380.0	445.0	520.0
E(min)	23.6	29.0	35.8	44.4	50.3	63.5	76.2	92.2	104.9	117.6	144.4	171.4	222.2	276.2	328.6
H	53.0	58.0	62.0	66.0	69.0	70.0	77.0	80.0	81.0	86.0	99.0	99.0	112.0	118.0	131.0
K	66.7	82.6	88.9	98.4	114.3	127.0	149.2	168.3	184.2	200.0	235.0	269.9	330.2	387.4	450.8
L	15.9	19.1	19.1	19.1	22.2	19.1	22.2	22.2	22.2	22.2	22.2	22.2	25.4	28.6	31.8
M	38.0	48.0	54.0	64.0	70.0	84.0	100.0	117.0	133.0	146.0	178.0	206.0	260.0	321.0	375.0
N	23.0	26.0	27.0	27.0	31.0	34.0	39.0	43.0	45.0	48.0	51.0	53.0	62.0	67.0	73.0
Q	2.0	2.0	2.0	2.0	2.0	2.0	2.0	2.0	2.0	2.0	2.0	2.0	2.0	2.0	2.0
T	16.0	16.0	18.0	21.0	23.0	29.0	32.0	32.0	37.0	37.0	43.0	47.0	51.0	56.0	61.0
FUROS	4	4	4	4	4	8	8	8	8	8	8	12	12	16	16


**600#**

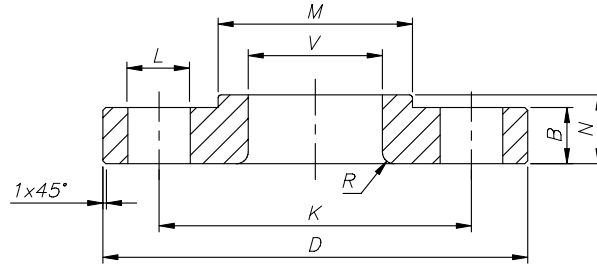
Ø NOM.	1/2"	3/4"	1"	1.1/4"	1.1/2"	2"	2.1/2"	3"	3.1/2"	4"	5"	6"	8"	10"	12"
B	14.3	15.9	17.5	20.7	22.3	25.4	28.6	31.8	35.0	38.1	44.5	47.7	55.6	63.5	66.7
D	95.0	115.0	125.0	135.0	155.0	165.0	190.0	210.0	230.0	275.0	330.0	355.0	420.0	510.0	560.0
E(min)	23.6	29.0	35.8	44.4	50.6	63.5	76.2	92.2	104.9	117.6	144.4	171.4	222.2	276.2	328.6
H	59.0	64.0	69.0	74.0	77.0	80.0	86.0	90.0	93.0	109.0	121.0	124.0	140.0	159.0	163.0
K	66.7	82.6	88.9	98.4	114.3	127.0	149.2	168.3	184.2	200.0	235.0	269.9	330.2	387.4	450.8
L	15.9	19.1	19.1	19.1	22.2	19.1	22.2	22.2	25.4	25.4	28.6	28.6	31.8	34.9	34.9
M	38.0	48.0	54.0	64.0	70.0	84.0	100.0	117.0	133.0	152.0	189.0	222.0	273.0	343.0	400.0
N	29.0	32.0	34.0	36.0	39.0	44.0	48.0	53.0	56.0	61.0	67.0	74.0	83.0	93.0	99.0
Q	7.0	7.0	7.0	7.0	7.0	7.0	7.0	7.0	7.0	7.0	7.0	7.0	7.0	7.0	7.0
T	16.0	16.0	18.0	21.0	23.0	29.0	32.0	35.0	40.0	42.0	48.0	51.0	58.0	66.0	70.0
FURO	4	4	4	4	4	8	8	8	8	8	8	12	12	16	20

**TOLERÂNCIAS**

DIMENSÃO	A	B	C	F	150# 300#	G	H	K
ATÉ 4"	+2.0 -1.0	+3.0 -0.0	+1.0 -0.0	+1.0 -1.0	+1.0 -1.0	+0.5 -0.5	+1.5 -1.5	+1.5 -1.5
ATÉ 5"							+1.5 -3.0	
6" ATÉ 10"	+4.0 -1.0		+1.5 -0.0	+1.5 -1.5			+3.0 -5.0	
12"								

**QG IND. E COM. DE ACESSÓRIOS INDUSTRIAIS LTDA.**

	TÍTULO: FLANGES 150# / 300# / 600#			CÓDIGO: IT-009		FOLHA: 06		
	MATERIAL: AÇO INOX TP 304/L, 316/L				NORMA: A182/08 - ASME B16.5/03			
	ESCALA: S/ESCALA		DATA: 27/05/09		DESENHISTA: SILVANA		VERIFICAÇÃO: SIDNEY	
					APROVAÇÃO: IVO			



### DIMENSÕES COMUNS

Ø NOM.	1/2"	3/4"	1"	1.1/4"	1.1/2"	2"	2.1/2"	3"	3.1/2"	4"	5"	6"	8"	10"	12"
R	3.0	3.0	3.0	5.0	6.0	8.0	8.0	10.0	10.0	11.0	11.0	13.0	13.0	13.0	13.0
V	22.9	28.2	34.9	43.7	50.0	62.5	75.4	91.4	104.1	116.8	144.4	171.4	222.2	277.4	328.2

### 150#

Ø NOM.	1/2"	3/4"	1"	1.1/4"	1.1/2"	2"	2.1/2"	3"	3.1/2"	4"	5"	6"	8"	10"	12"
B	11.2	12.7	14.3	15.9	17.5	19.1	22.3	23.9	23.9	23.9	23.9	25.4	28.6	30.2	31.8
D	90.0	100.0	110.0	115.0	125.0	150.0	180.0	190.0	215.0	230.0	255.0	280.0	345.0	405.0	485.0
K	60.3	69.9	79.4	88.9	98.4	120.7	139.7	152.4	177.8	190.5	215.9	241.3	298.5	362.0	431.8
L	15.9	15.9	15.9	15.9	15.9	19.1	19.1	19.1	19.1	19.1	22.2	22.2	22.2	25.4	25.4
M	30.0	38.0	49.0	59.0	65.0	78.0	90.0	108.0	122.0	135.0	164.0	192.0	246.0	305.0	365.0
N	16.0	16.0	17.0	21.0	22.0	25.0	29.0	30.0	32.0	33.0	36.0	40.0	44.0	49.0	56.0
Nº FUROS	4	4	4	4	4	4	4	4	8	8	8	8	8	12	12

### 300#

Ø NOM.	1/2"	3/4"	1"	1.1/4"	1.1/2"	2"	2.1/2"	3"	3.1/2"	4"	5"	6"	8"	10"	12"
B	14.3	15.9	17.5	19.1	20.7	22.3	25.4	28.6	30.2	31.8	35.0	36.6	41.3	47.7	50.8
D	95.0	115.0	125.0	135.0	155.0	165.0	190.0	210.0	230.0	255.0	280.0	320.0	380.0	445.0	520.0
K	66.7	82.6	88.9	98.4	114.3	127.0	149.2	168.3	184.2	200.0	235.0	269.9	330.2	387.4	450.8
L	15.9	19.1	19.1	19.1	22.2	19.1	22.2	22.2	22.2	22.2	22.2	22.2	25.4	28.6	31.8
M	38.0	48.0	54.0	64.0	70.0	84.0	100.0	117.0	133.0	146.0	178.0	206.0	260.0	321.0	375.0
N	22.0	25.0	27.0	27.0	30.0	33.0	38.0	43.0	44.0	48.0	51.0	52.0	62.0	95.0	102.0
Nº FUROS	4	4	4	4	4	8	8	8	8	8	8	12	12	16	16

### 600#

Ø NOM.	1/2"	3/4"	1"	1.1/4"	1.1/2"	2"	2.1/2"	3"	3.1/2"	4"	5"	6"	8"	10"	12"
B	14.3	15.9	17.5	20.7	22.3	25.4	28.6	31.8	35.0	38.1	44.5	47.7	55.6	63.5	66.7
D	95.0	115.0	125.0	135.0	155.0	165.0	190.0	210.0	230.0	275.0	330.0	355.0	420.0	510.0	560.0
K	66.7	82.6	88.9	98.4	114.3	127.0	149.2	168.3	184.2	215.9	266.7	292.1	349.2	431.8	489.0
L	15.9	19.1	19.1	19.1	22.2	19.1	22.2	22.2	25.4	25.4	28.6	28.6	31.8	34.9	34.9
M	38.0	48.0	54.0	64.0	70.0	84.0	100.0	117.0	133.0	152.0	189.0	222.0	273.0	343.0	400.0
N	22.0	25.0	27.0	29.0	32.0	37.0	41.0	46.0	49.0	54.0	60.0	67.0	76.0	111.0	117.0
Nº FUROS	4	4	4	4	4	8	8	8	8	8	8	12	12	16	20

### TOLERÂNCIAS

DIMENSÃO	B	K	V
ATÉ 4"	+3.0 -0.0	+1.5 -1.5	+1.0 -0.0
ATÉ 5"			
6" ATÉ 10"			
12" e acima			+1.5 -0.0

	<b>QG IND. E COM. DE ACESSÓRIOS INDUSTRIAIS LTDA.</b>			
	TÍTULO: FLANGE SOLTO 150# / 300# / 600#		CÓDIGO: IT-009	FOLHA: 10
	MATERIAL: AÇO INOX TP 304/L, 316/L		NORMA: A182/08 - ASME B16.5/03	
	ESCALA: S/ESCALA	DATA: 27/05/09	DESENHISTA: SILVANA	VERIFICAÇÃO: SIDNEY